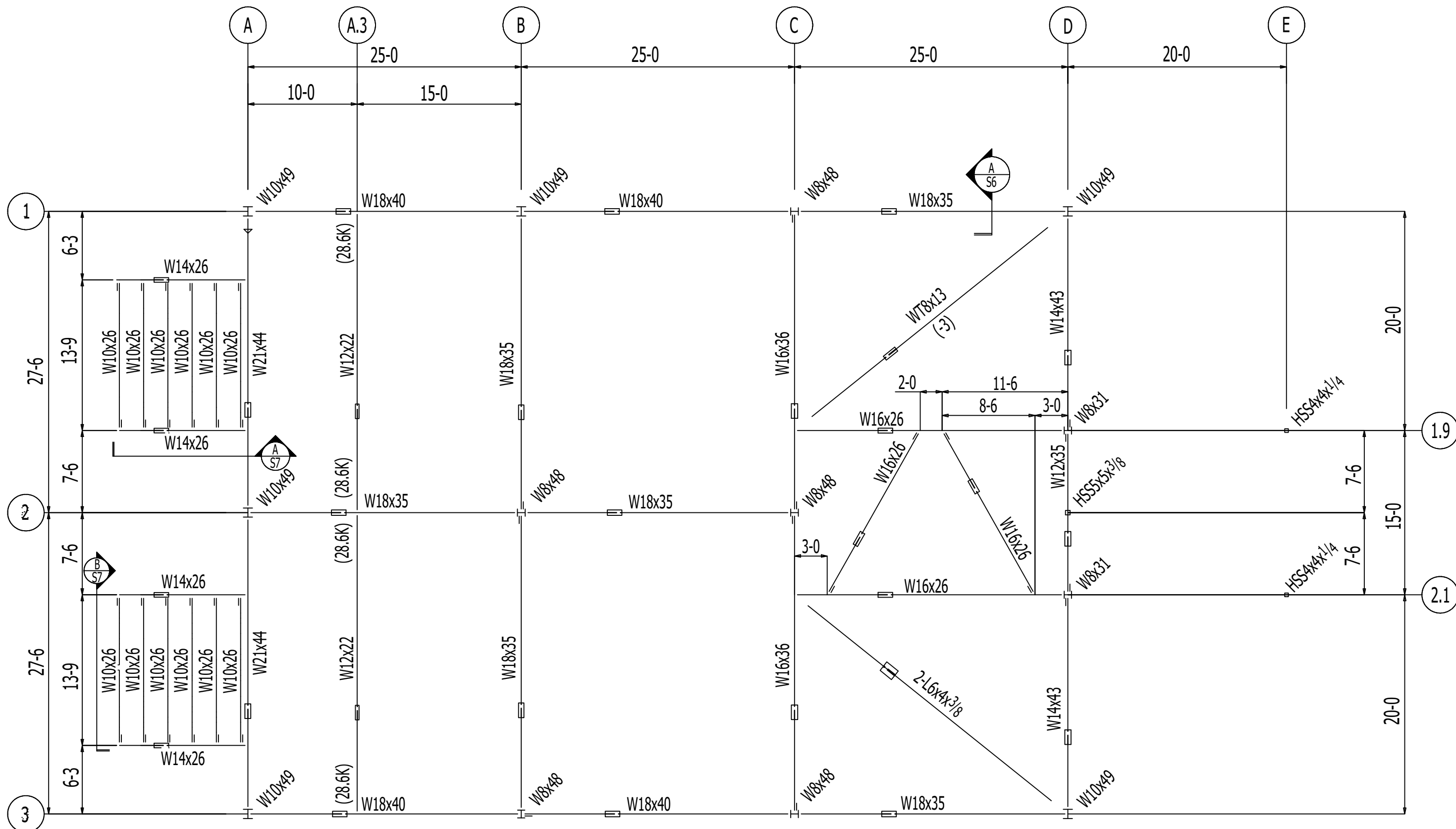
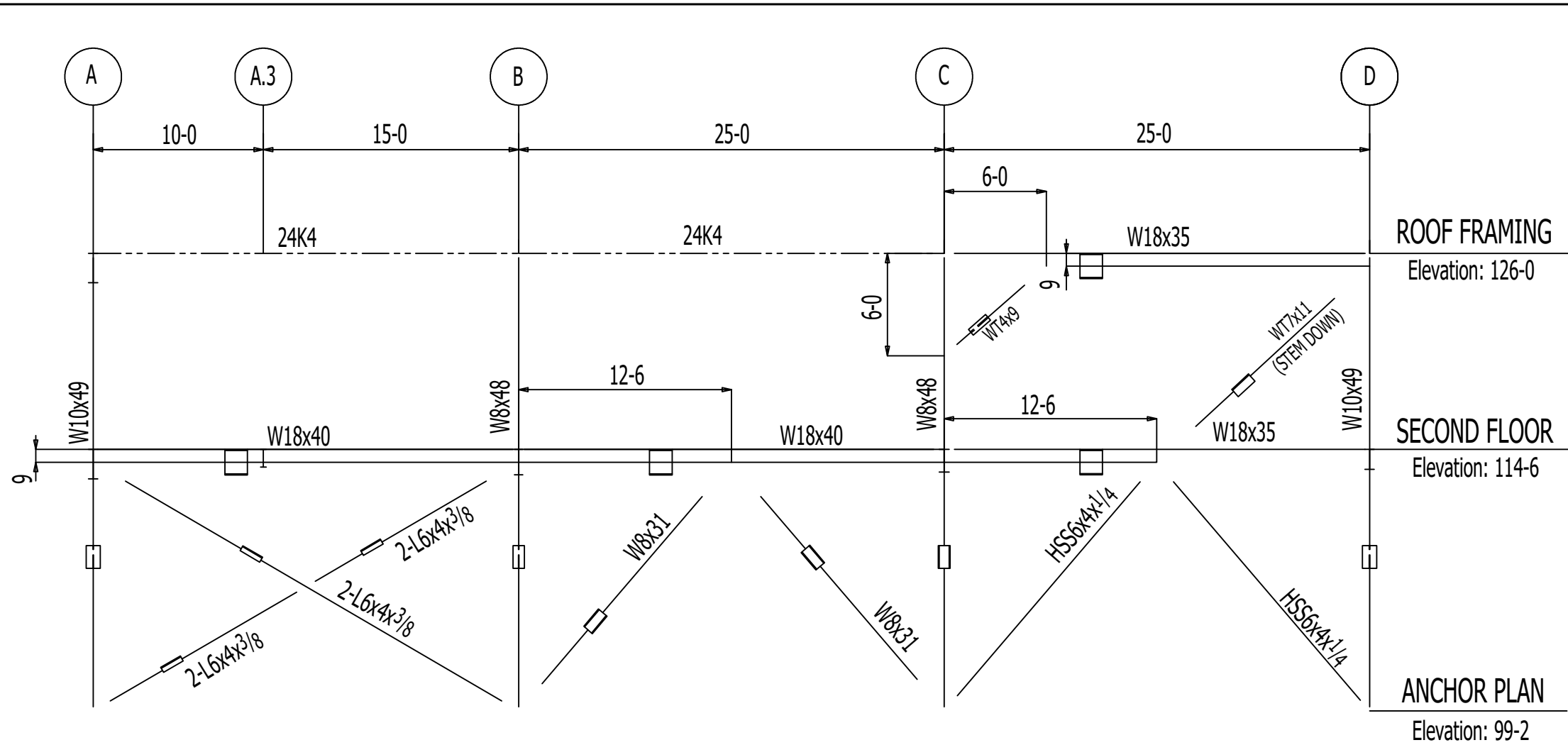


- COVER
- S1 - SECOND FLOOR FRAMING PLAN
- S2 - ROOF FRAMING PLAN
- S3 - ELEVATION LINE 3, TRUSS AND BRACE LINE D
- S4 - ELEVATION LINE 1.9 AND MEZZANINE
- S5 - COLUMN SCHEDULE
- S6 - HIP ROOF FRAMING, SECTIONS AND GRATING STAIR
- S7 - CANOPY SECTIONS
- S8 - ROD BRACING
- S9 - HANDRAIL AT MEZZANINE
- S10 - EMBEDS AND ANCHORS
- S11 - STAIR TOWER
- S12 - STAIR TOWER HANDRAIL
- S13 - STAIR TOWER WALL RAIL
- S14 - GRATING AND DECKING
- S15 - GIRTS & SAGRODS

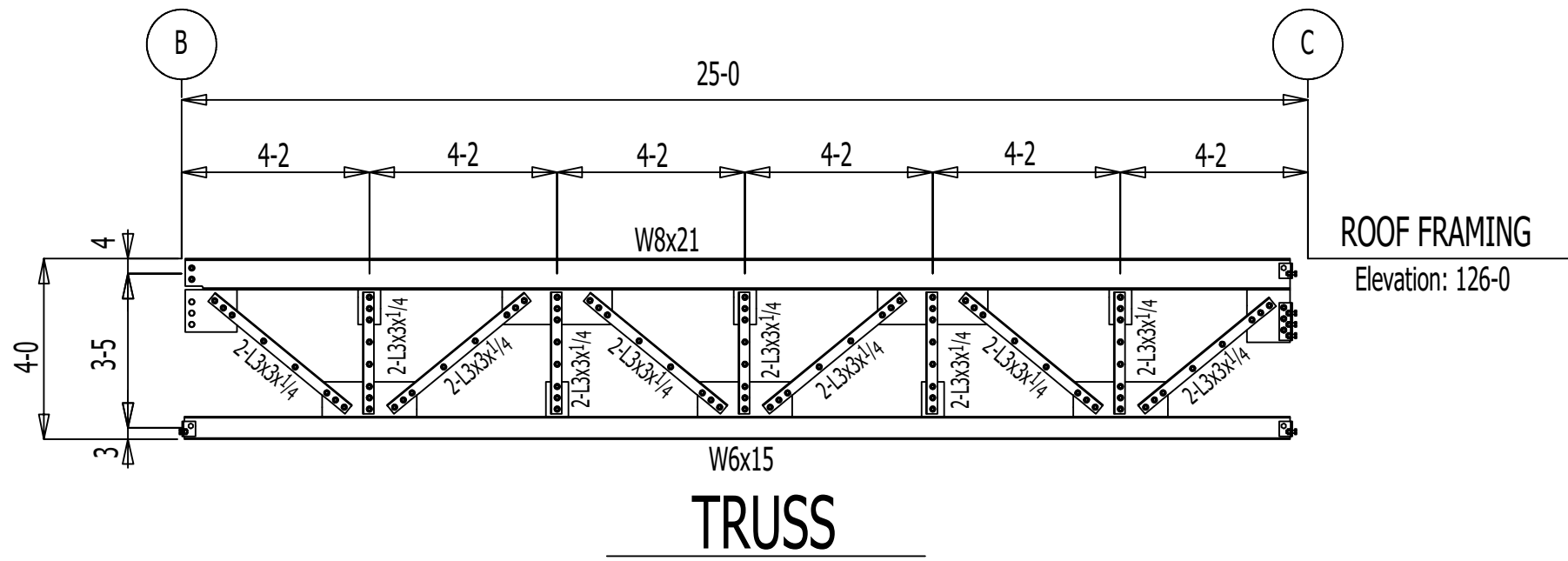
BASIC TRAINING CLASS
- ISOMETRIC -



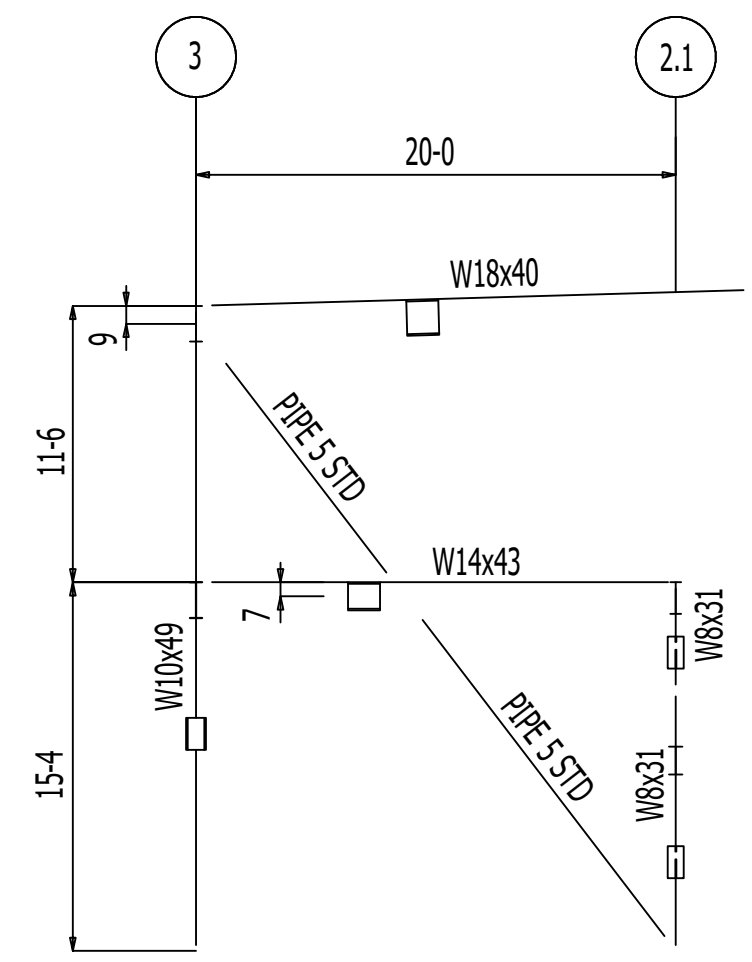
SECOND FLOOR
Elevation: 114-6 (U.N.)



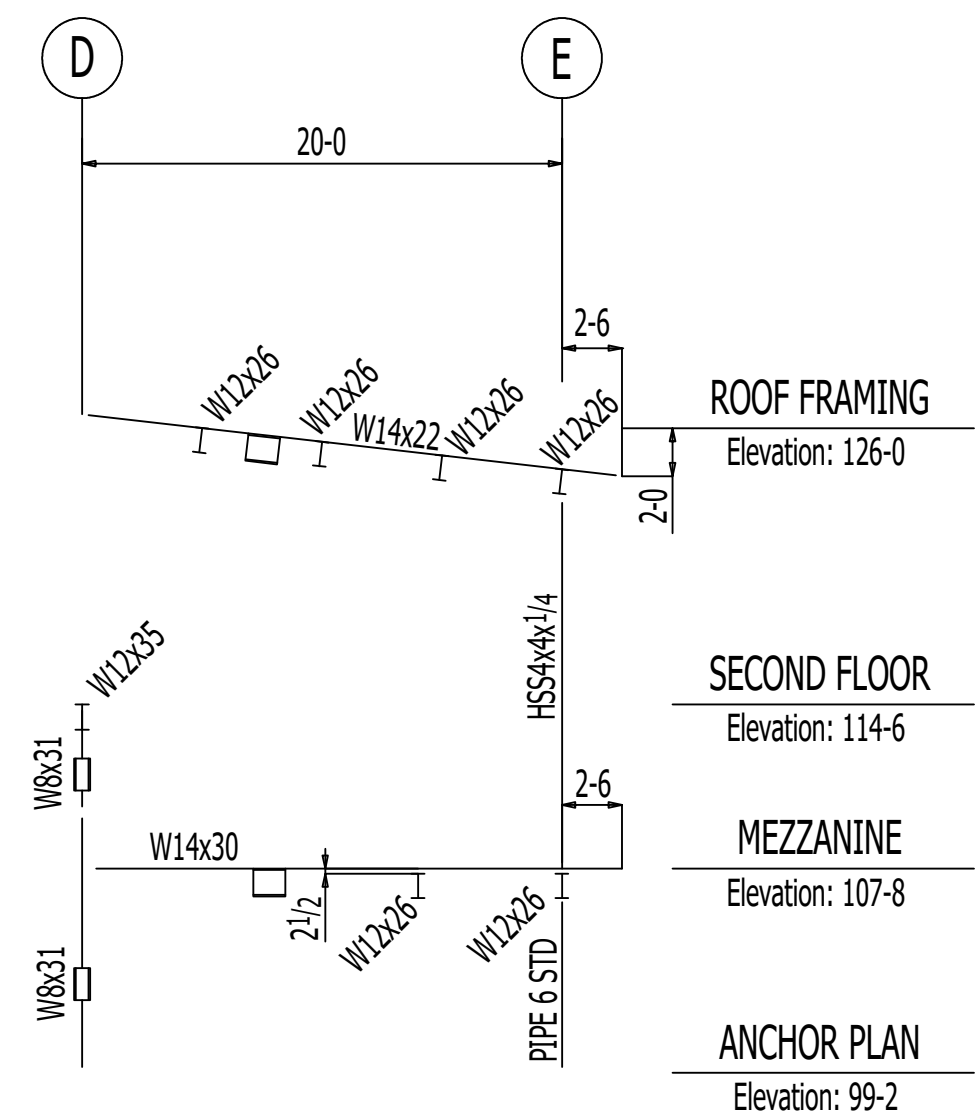
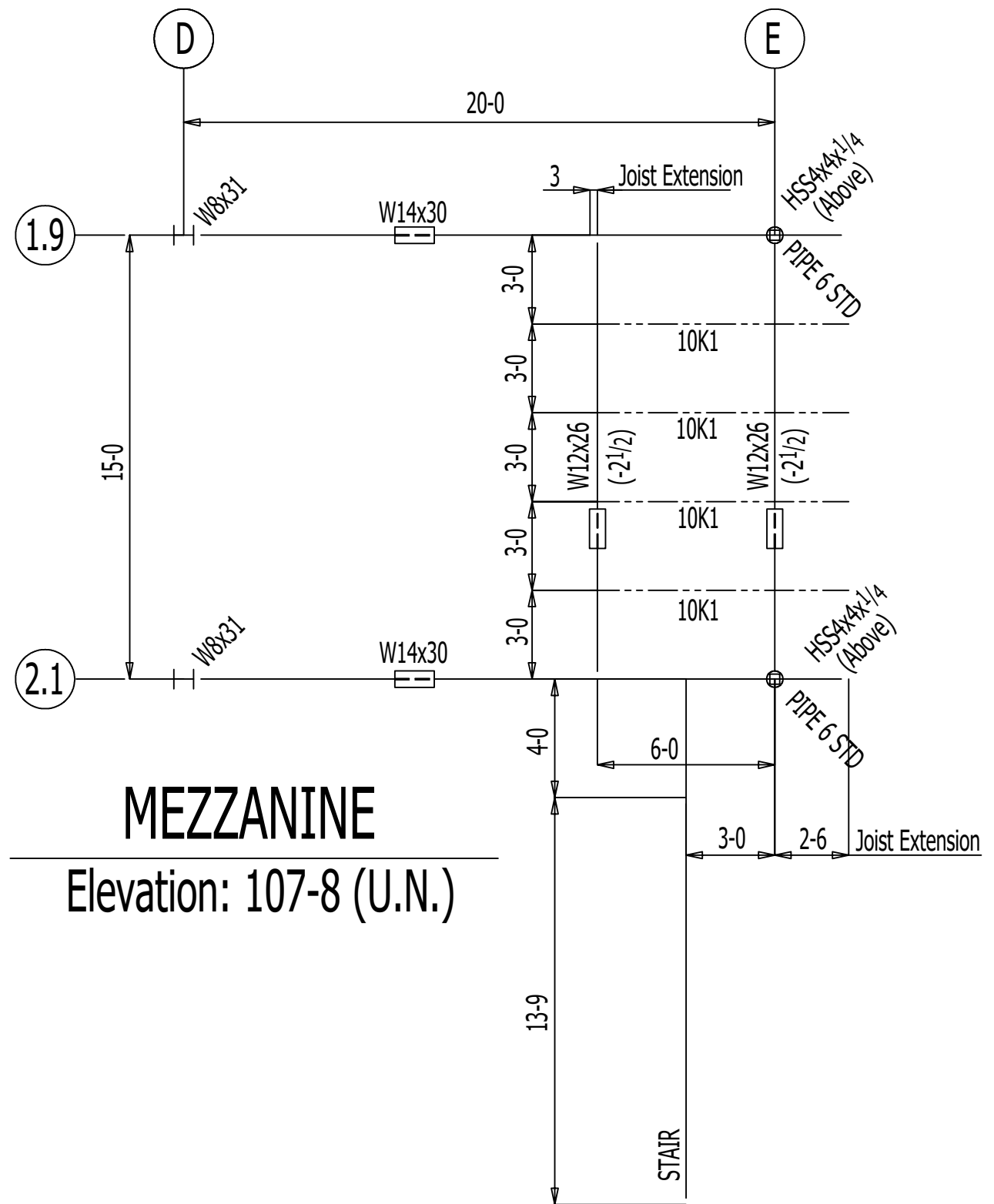
ELEVATION GRID 3



TRUSS

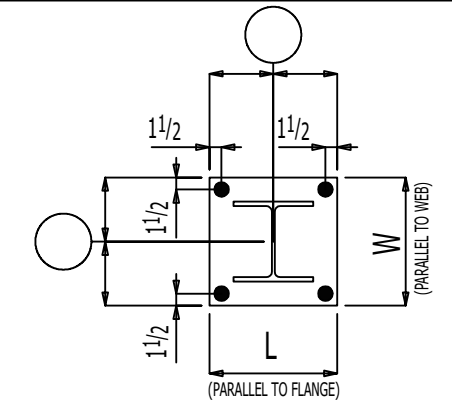


BRACE LINE D

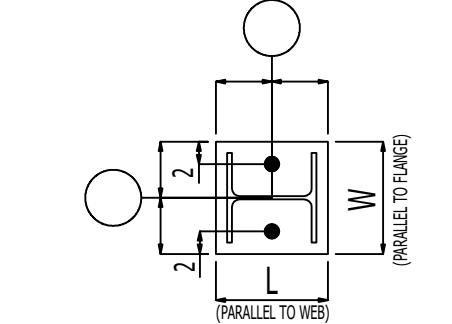


ELEVATION GRID 1.9

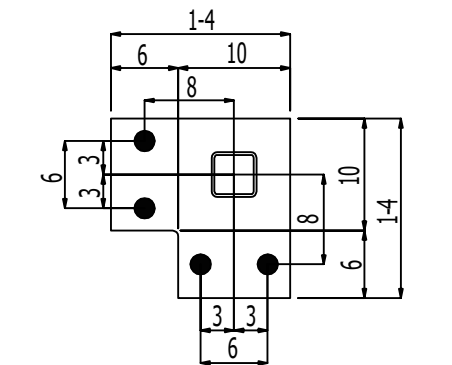
	A1, A2, A3 B1, B3 D1, D3	B2 C1, C2, C3	D1.9, D2.1	D2	E1.9, E2.1	E1.9, E2.1	E1	SLOPING COLUMNS
ROOF ELEV. VARIES								
SECOND FLOOR ELEV. 114-6				HSS5x5x ³ / ₈				
LANDING ELEV. 107-8	(W8x48 - B3)		BOLTED SPLICE ELEV. 110-0			HSS4x4x ¹ / ₄		
BOTTOM OF BASE PL 99-2	W10x49	W8x48	W8x31	PIPE 6 STD		HSS4x4x ¹ / ₄		PIPE 5 STD
BASE PL (WxLxT)	16 x 16 x 1 ¹ / ₂	10 x 10 x 1	10 x 10 x 1	AS REQUIRED	10 x 10 x ³ / ₄	AS REQUIRED	10 x 10 x 1 ¹ / ₄	TYPE D
BASE PL TYPE	A	B	B	—	A	—	C	D
CAP PLATE	—	—	—	5 x 5 x ¹ / ₄	AS REQUIRED	AS REQUIRED	5 x 5 x ¹ / ₄	AS REQUIRED
REMARKS								



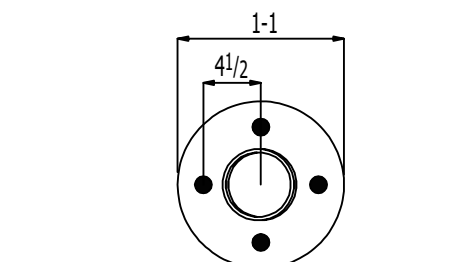
A TYP. BASE PLATE
(1" DIA ANCHOR BOLT)



B TYP. BASE PLATE
(³/₄" DIA ANCHOR BOLT)

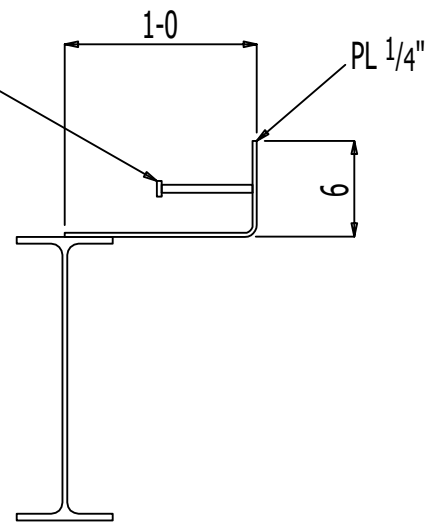


C B.P. AT GRIDLINE (E,1)
(1" DIA ANCHOR BOLT)
1¹/₄" THICK PLATE

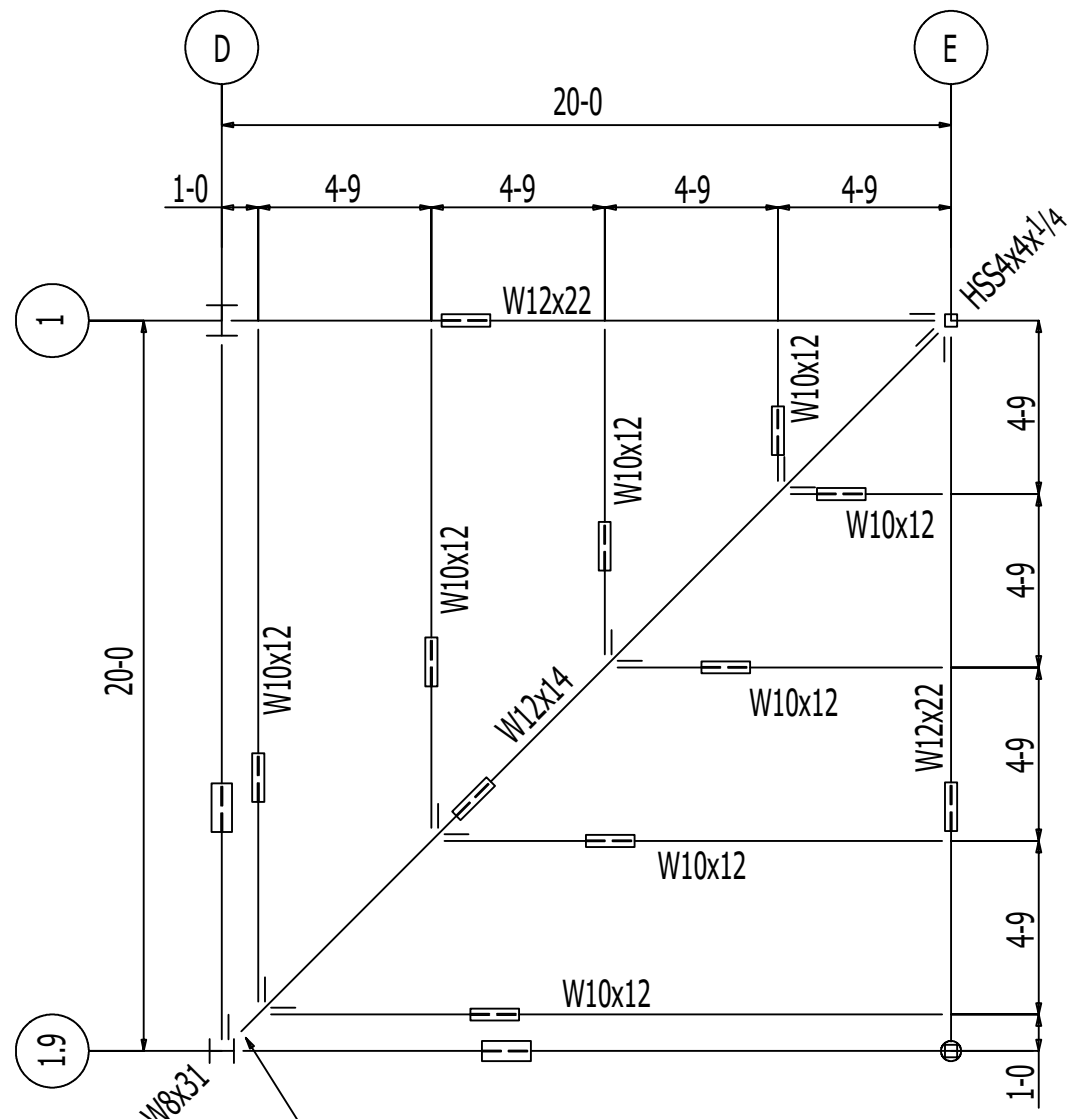
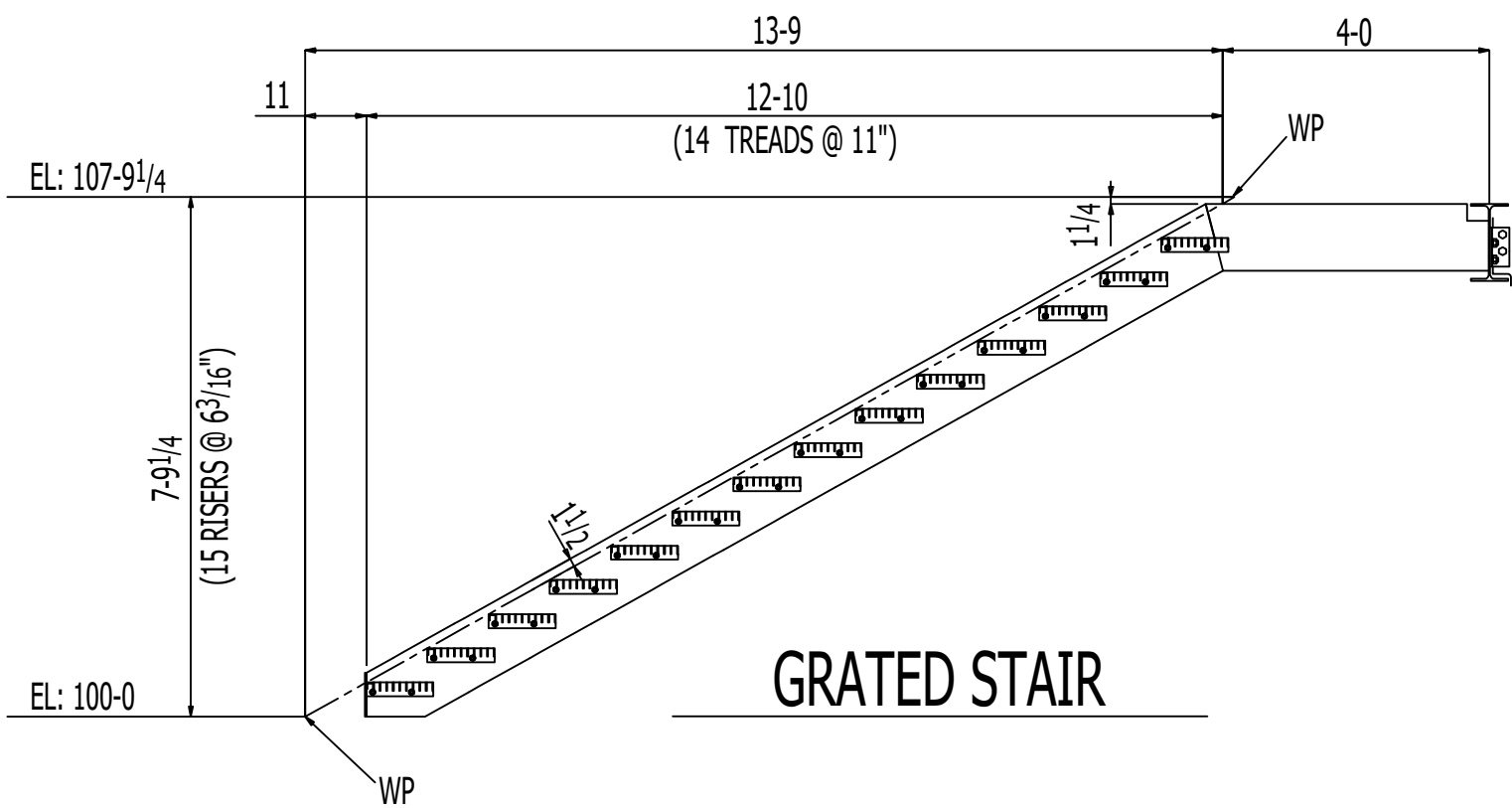


C B.P. AT SLOPING COLUMNS
(³/₄" DIA ANCHOR BOLT)
³/₄" THICK PLATE

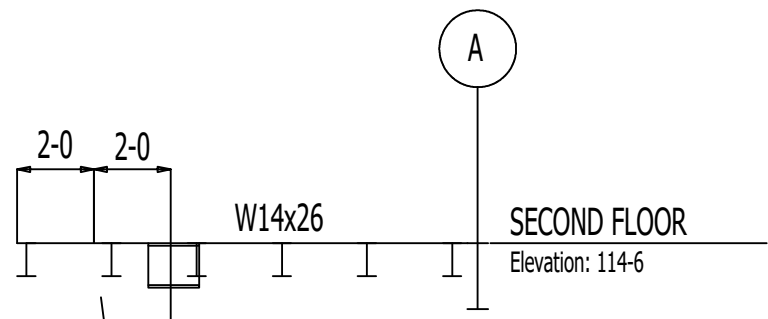
1/2" DIA.
SHEAR STUD
18" C/C



SECTION **A**



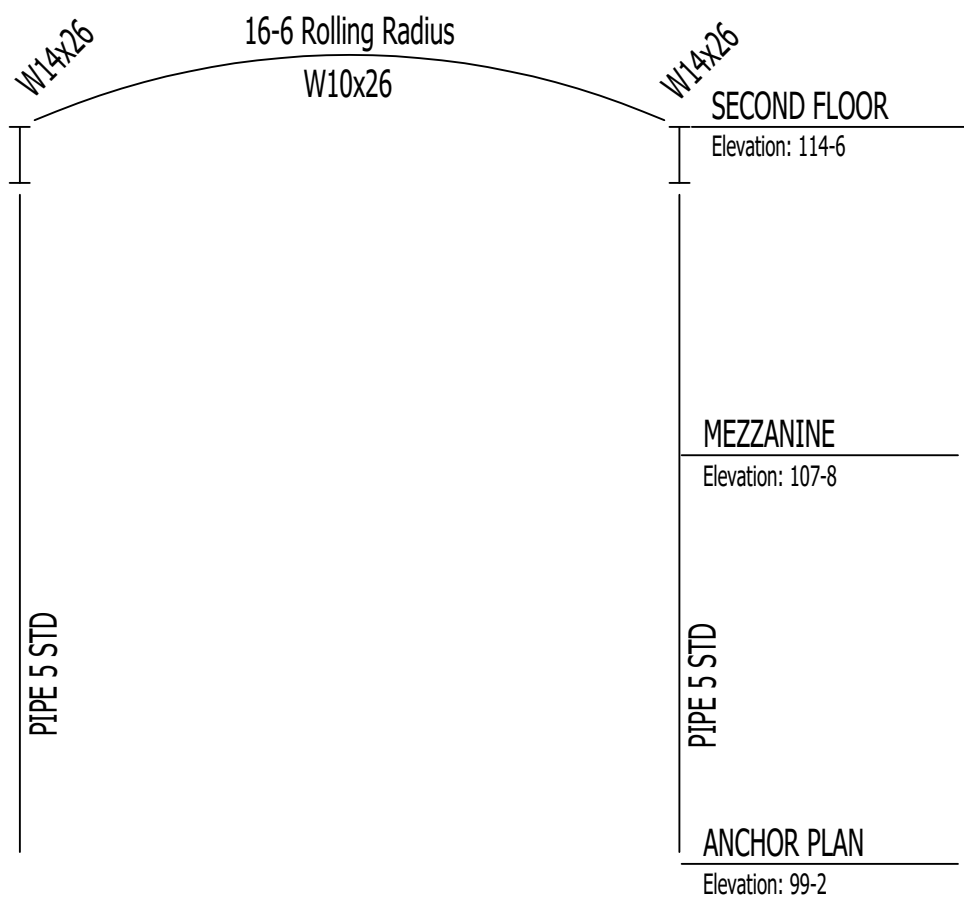
HIP ROOF
Elevation: 107-8 (U.N.)



ANCHOR PLAN
Elevation: 99-2

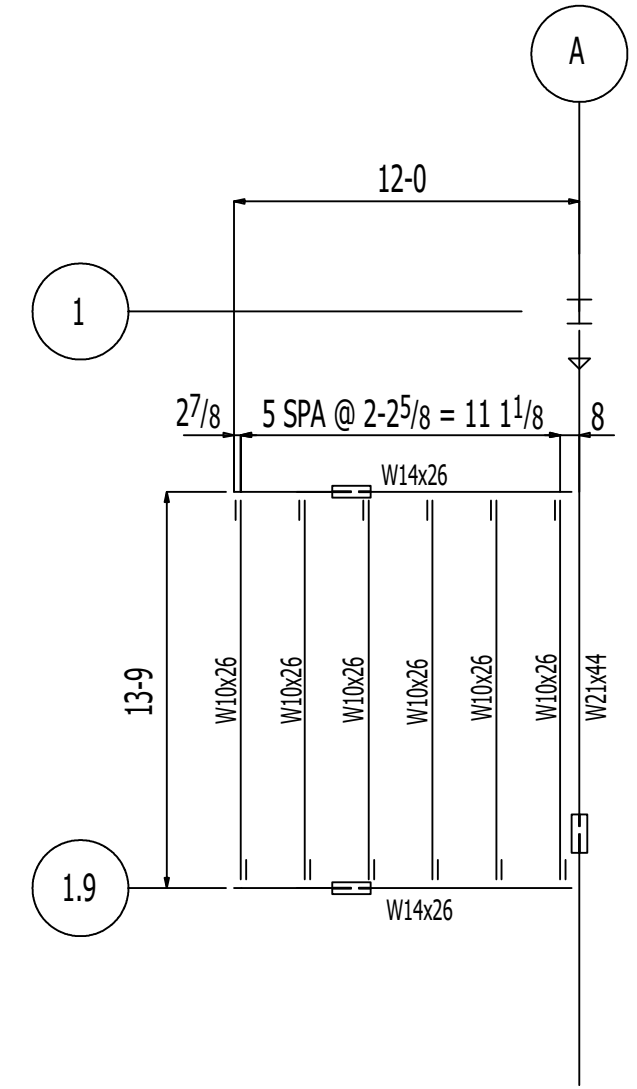
ROLLED CANOPY SECTION

A

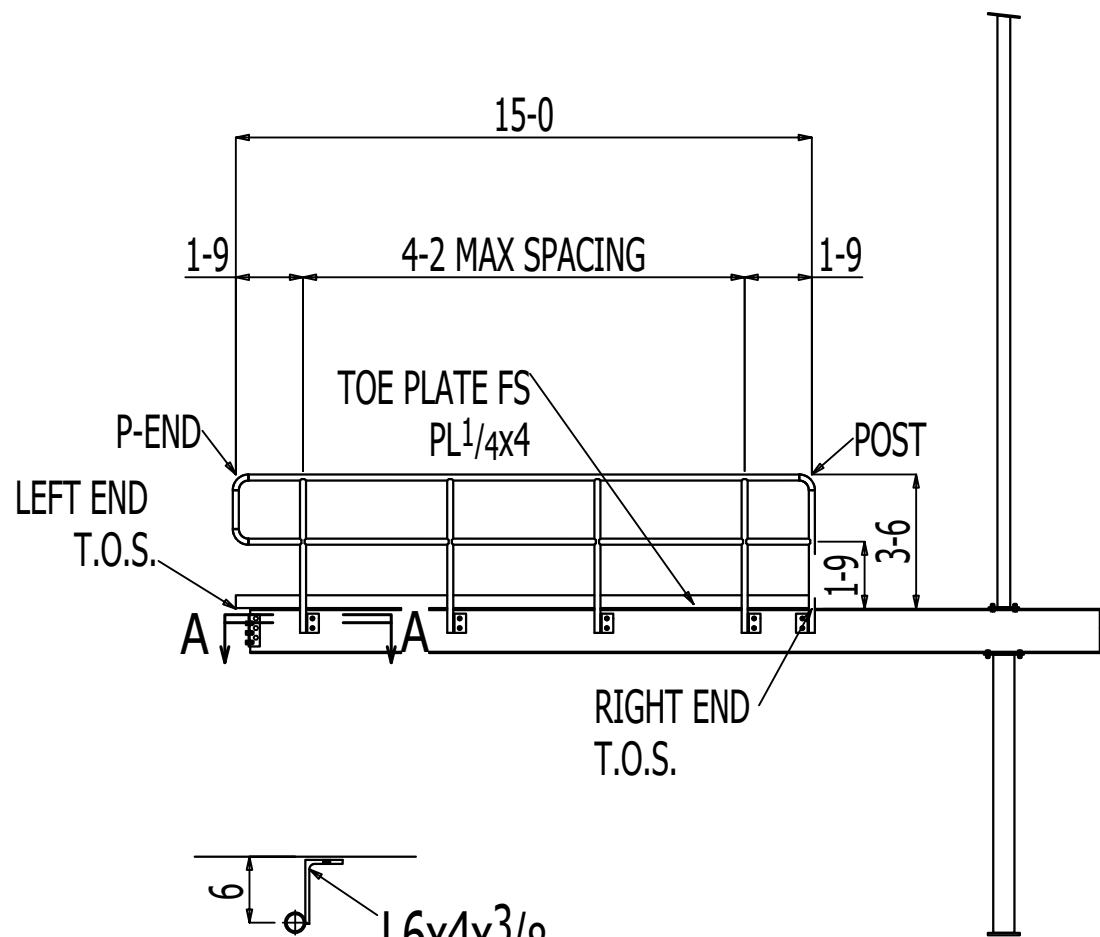
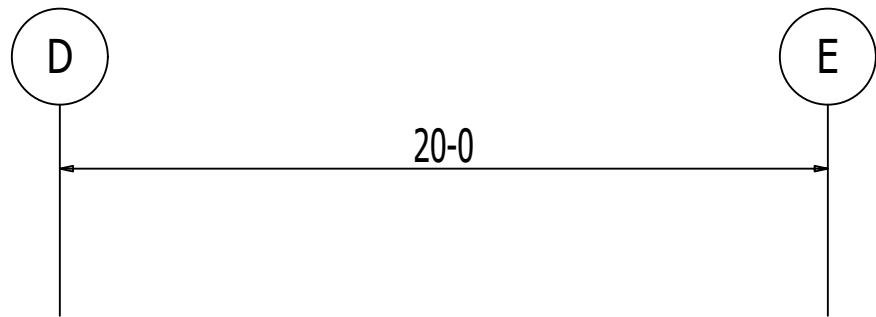


ROLLED CANOPY ELAVATION

B



ROLLED CANOPY PLAN



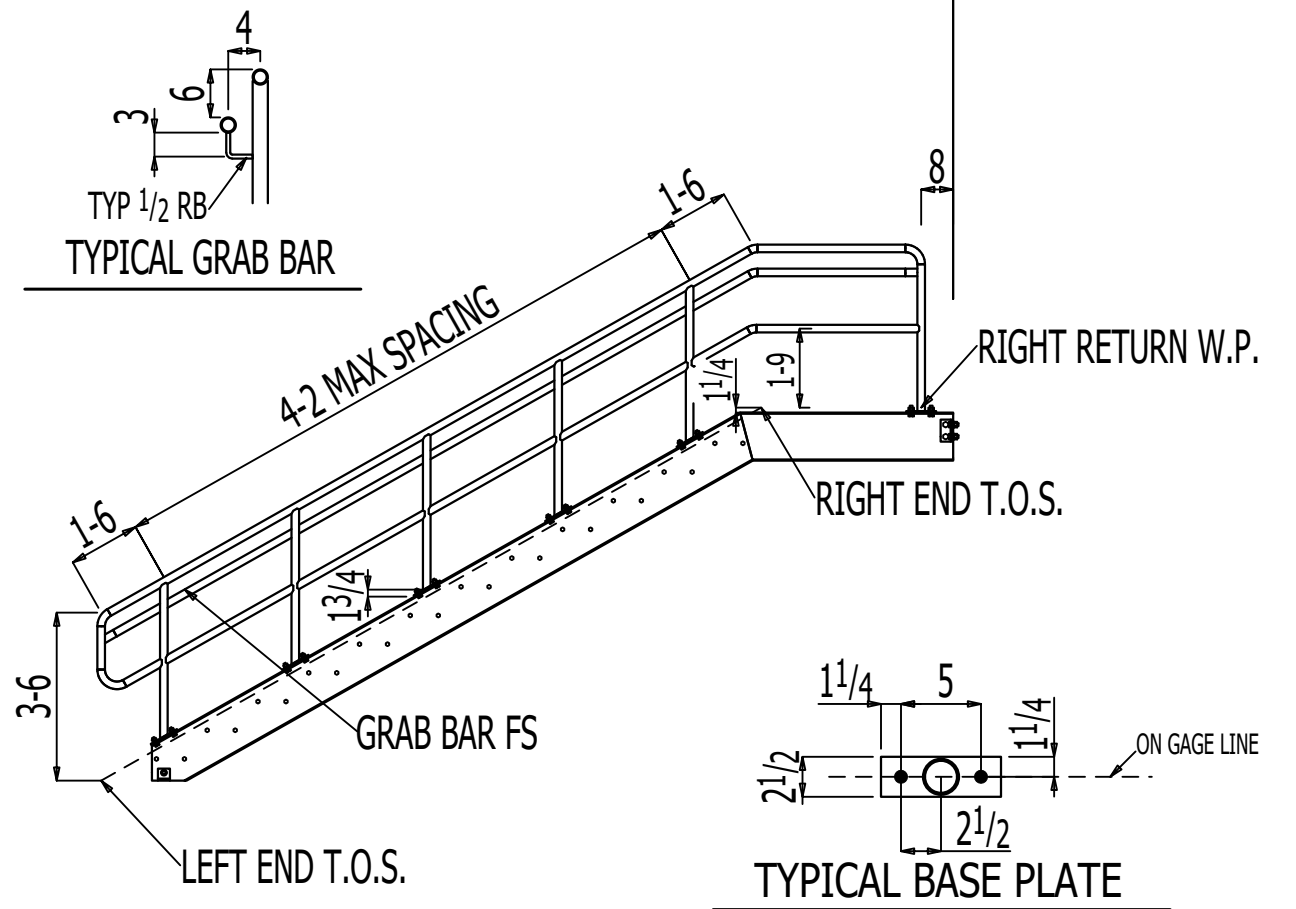
SECTION A:A
CLIP ANGLE CONNECTION

GUARDRAIL ON

PIPE 1 1/2 STD U.N.

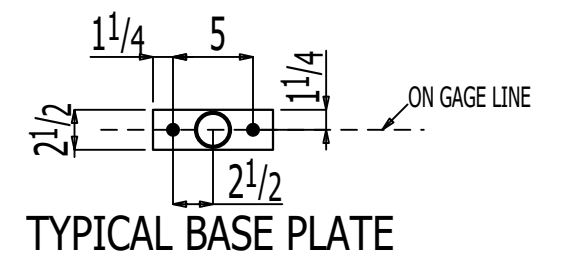
2.1

MEZZANINE
Elevation: 107-8

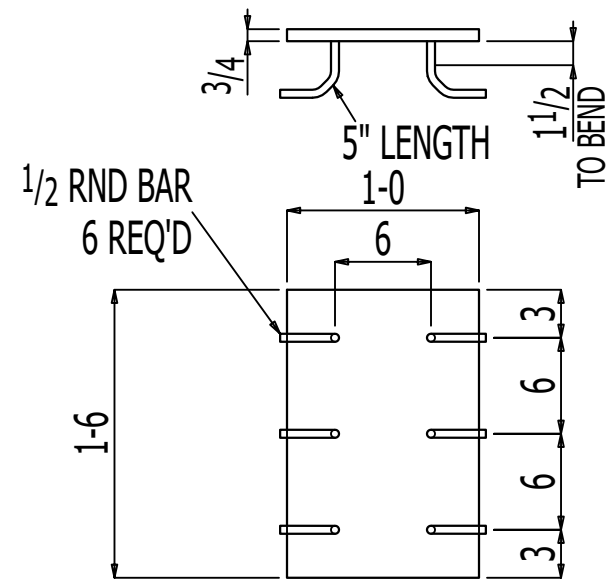


STAIR HANDRAIL

PIPE 1 1/2 STD U.N.

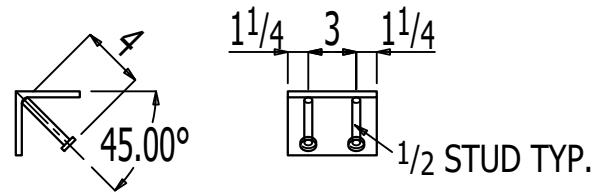


TYPICAL BASE PLATE



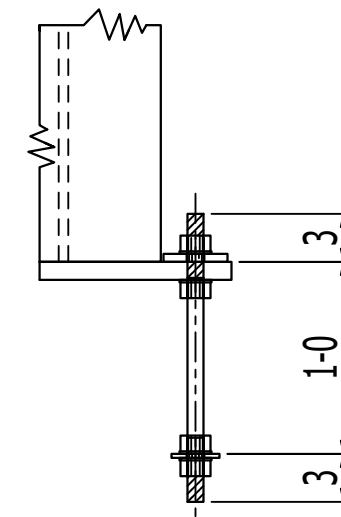
STD EMBED PLATE

INSIDE WALL



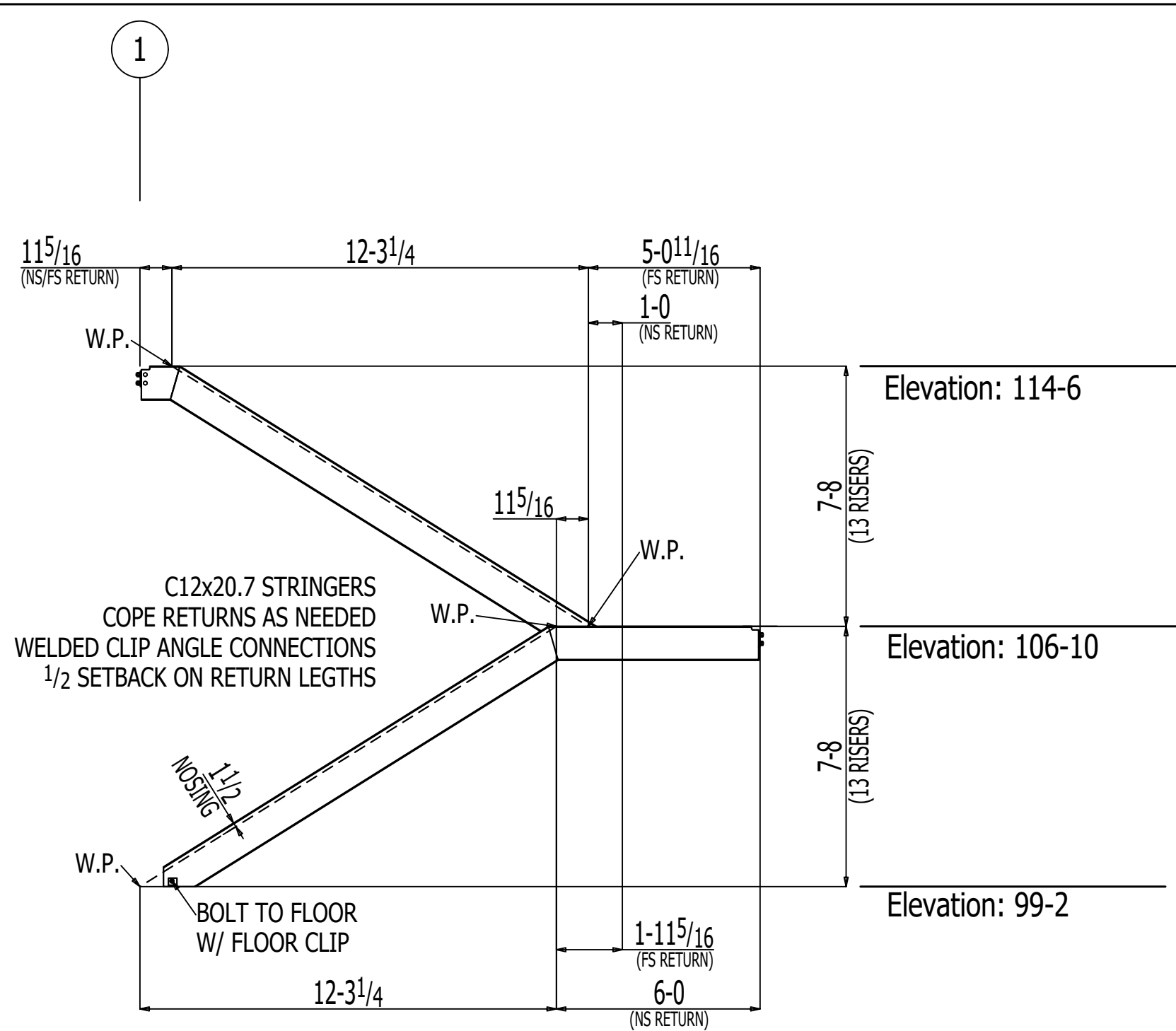
STD BEARING ANGLE

L4x4x3/8

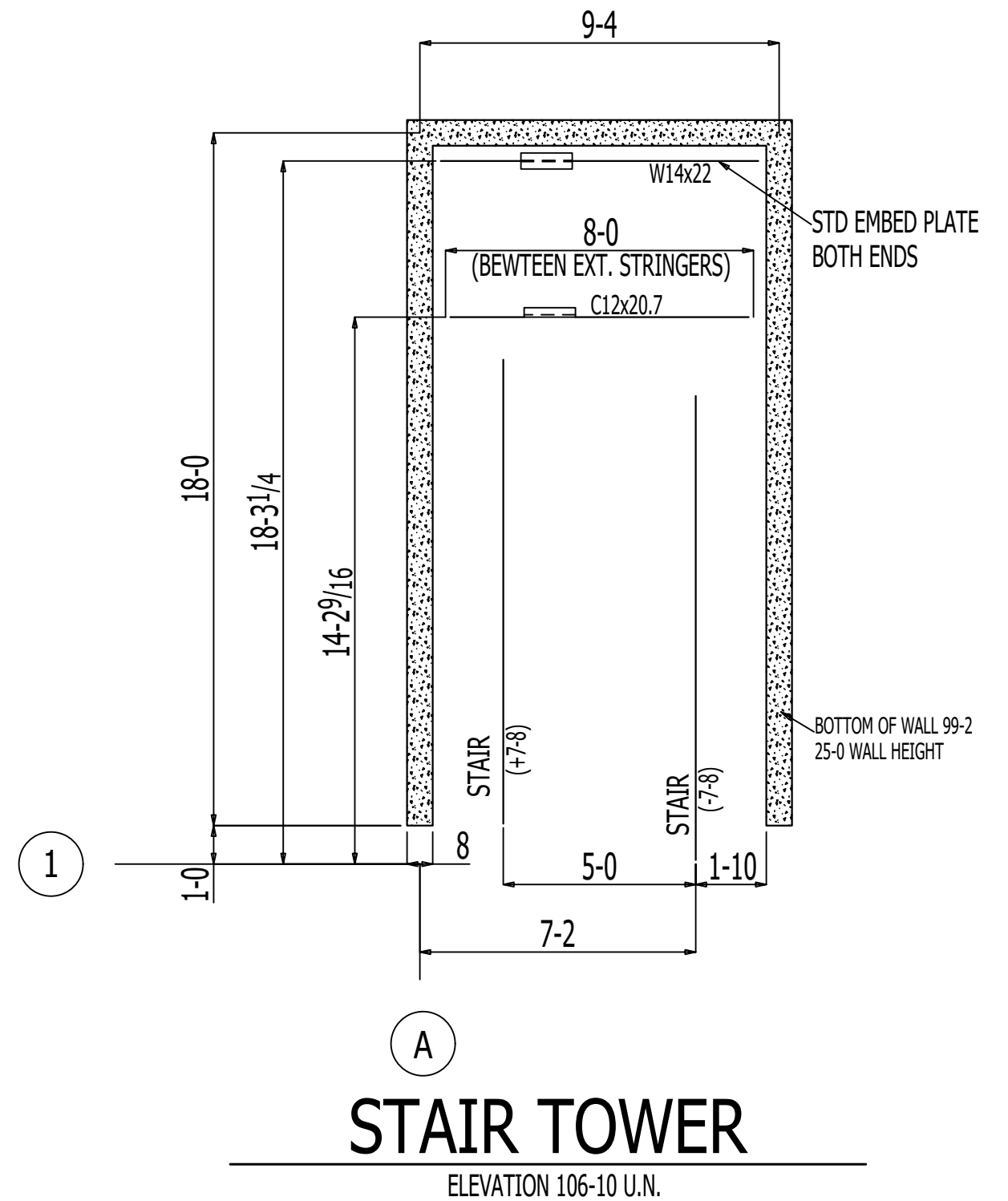


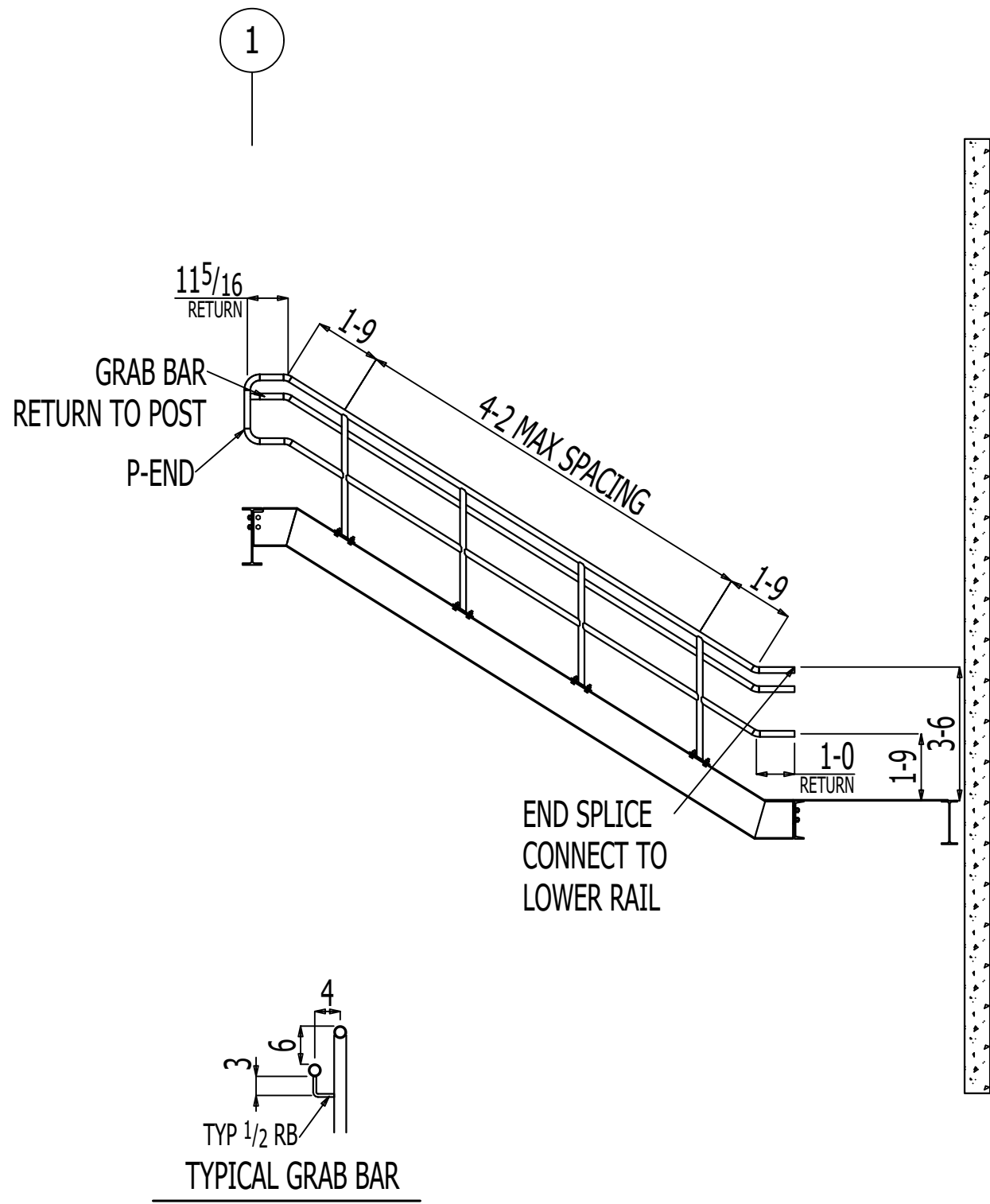
TYP. ANCHOR ROD

Ø FROM BASE PLATE SCHEDULE



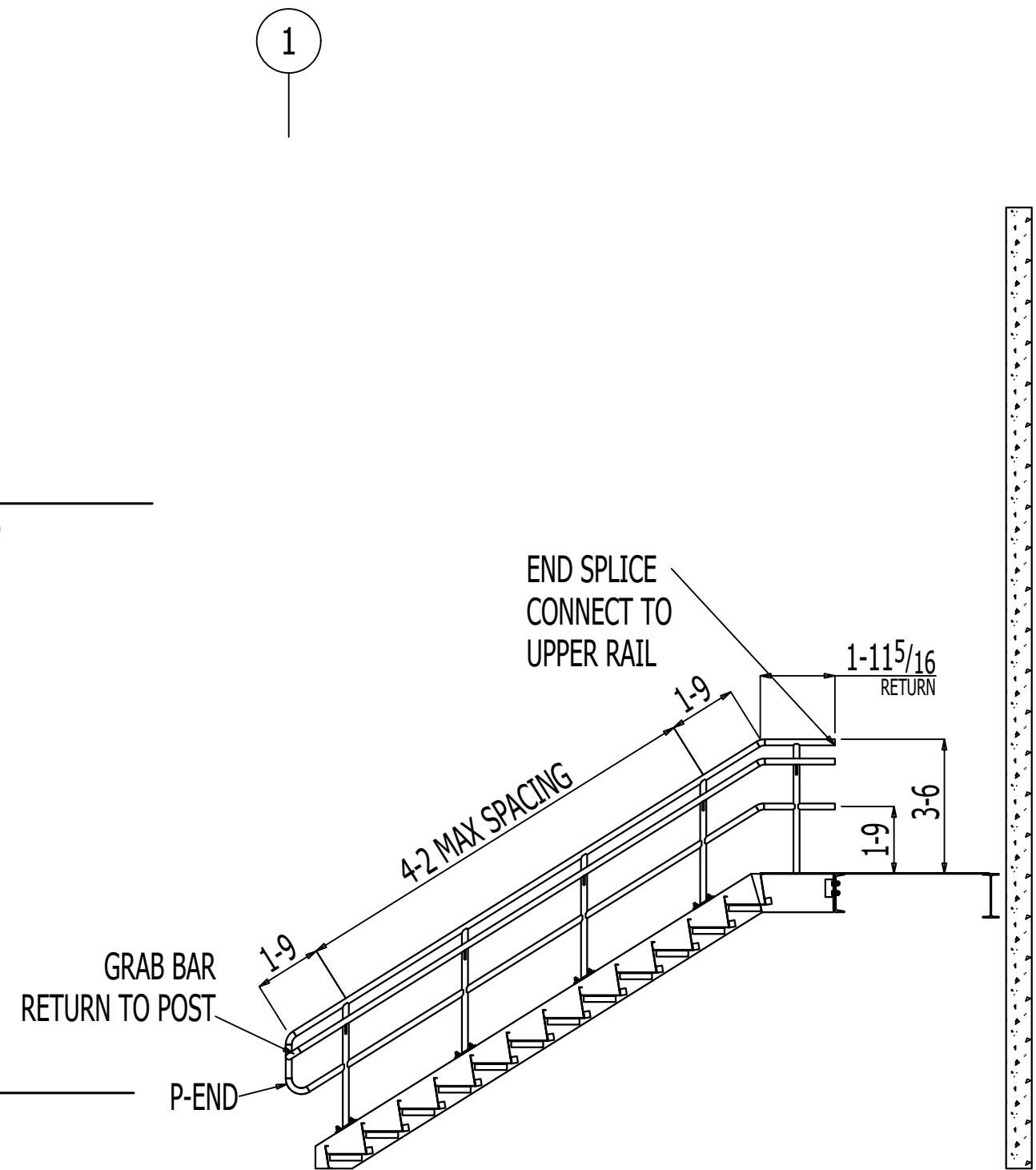
STAIR TOWER





SECOND FLOOR
Elevation: 114-6

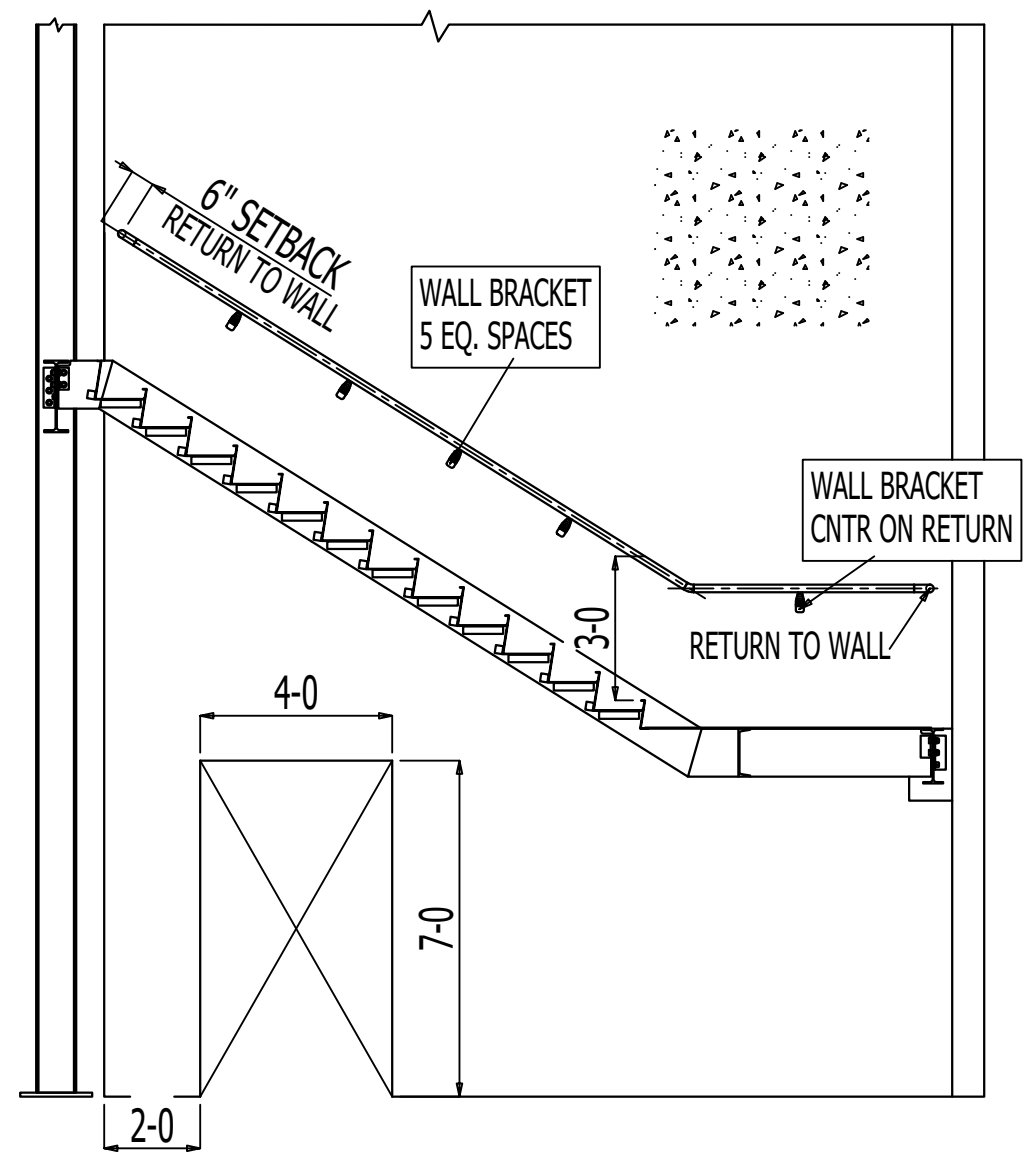
AB PLAN
Elevation: 99-2



STAIR TOWER HANDAILS

INTERIOR STRINGERS
PIPE 1 1/2 STD U.N.

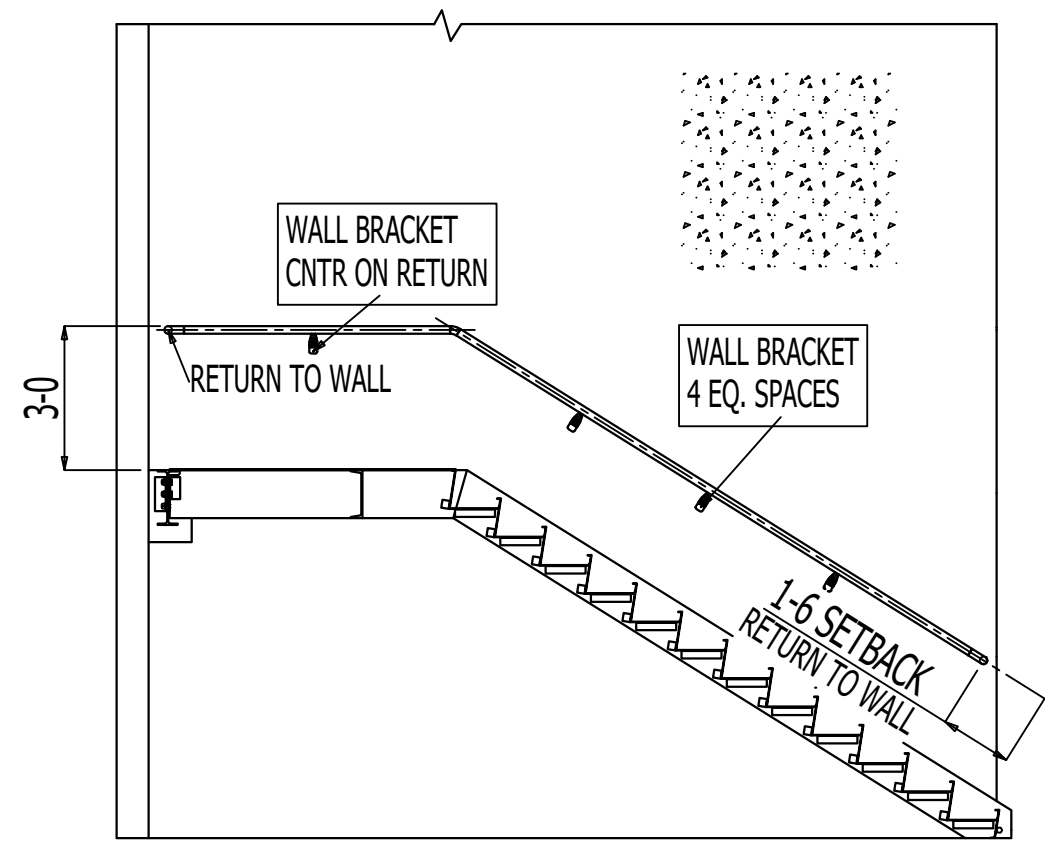
1



WEST WALL RAIL

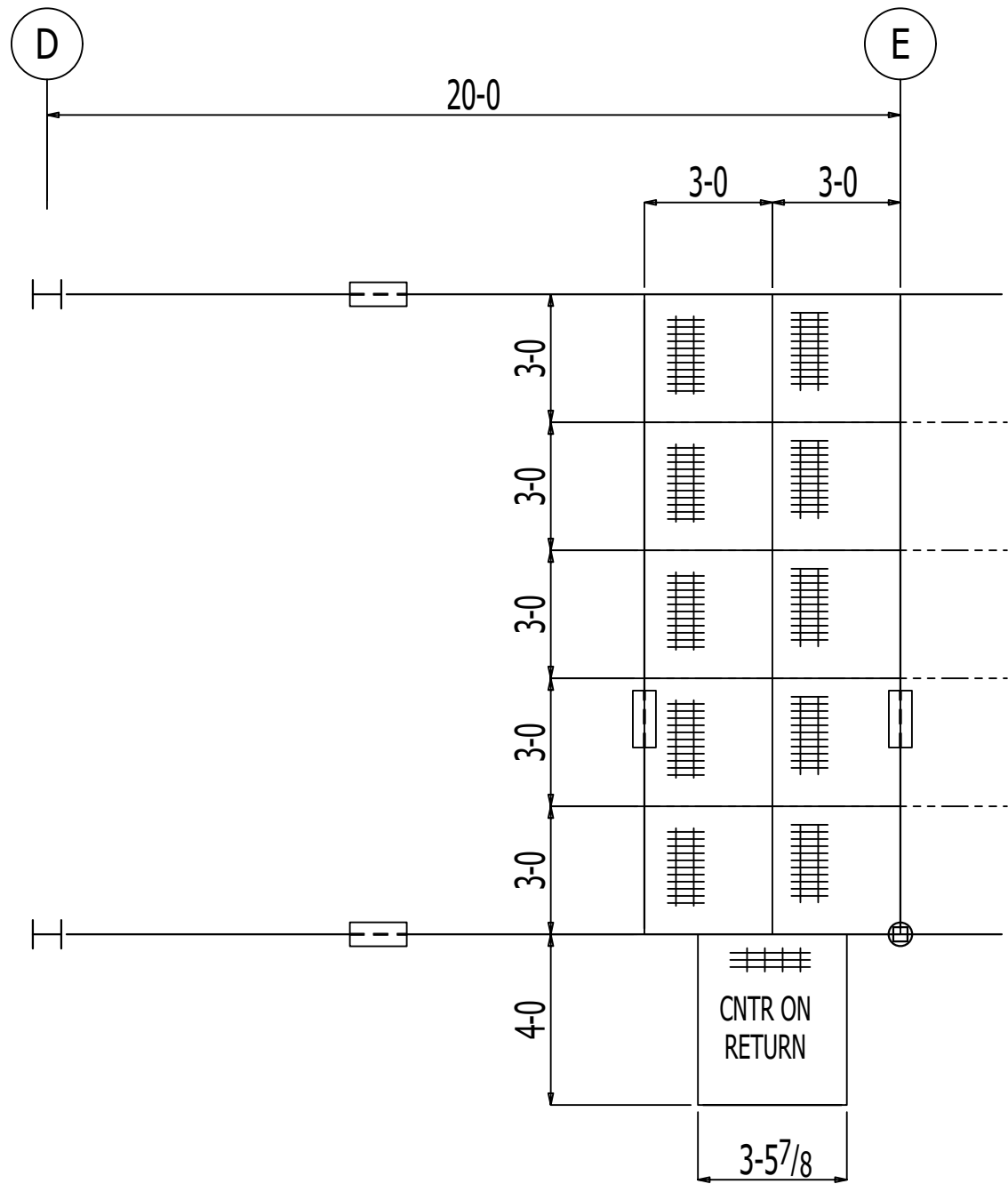
PIPE 1 1/2 STD U.N.

1



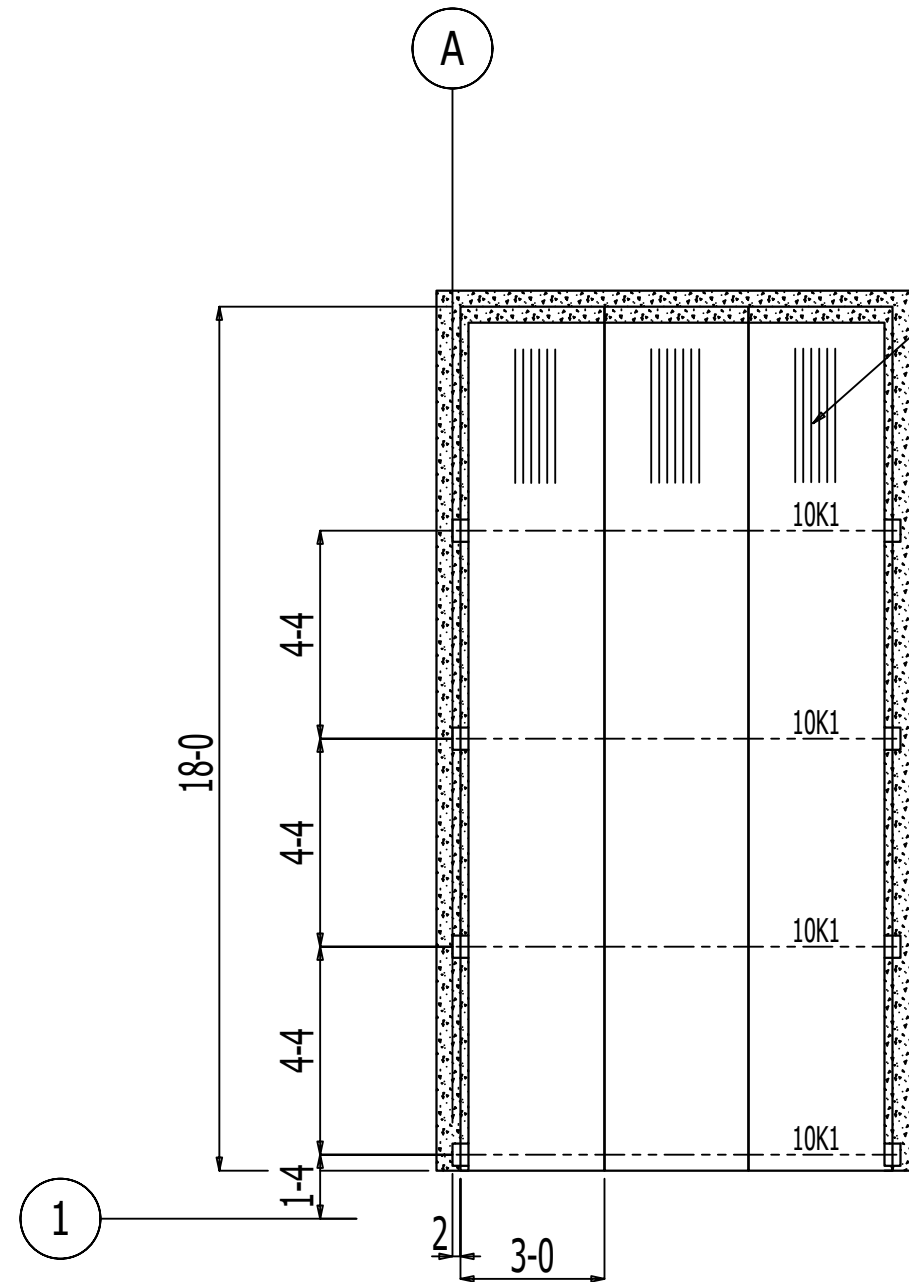
EAST WALL RAIL

PIPE 1 1/2 STD U.N.

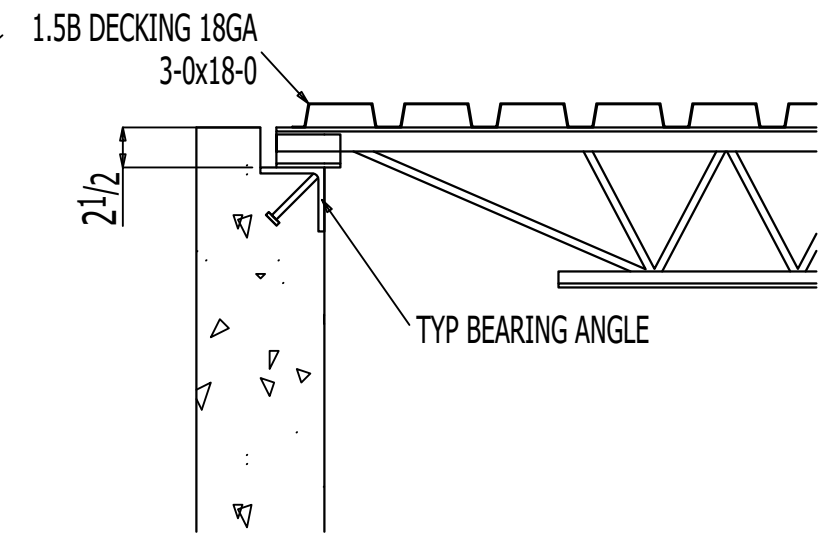


MEZZ GRATING LAYOUT

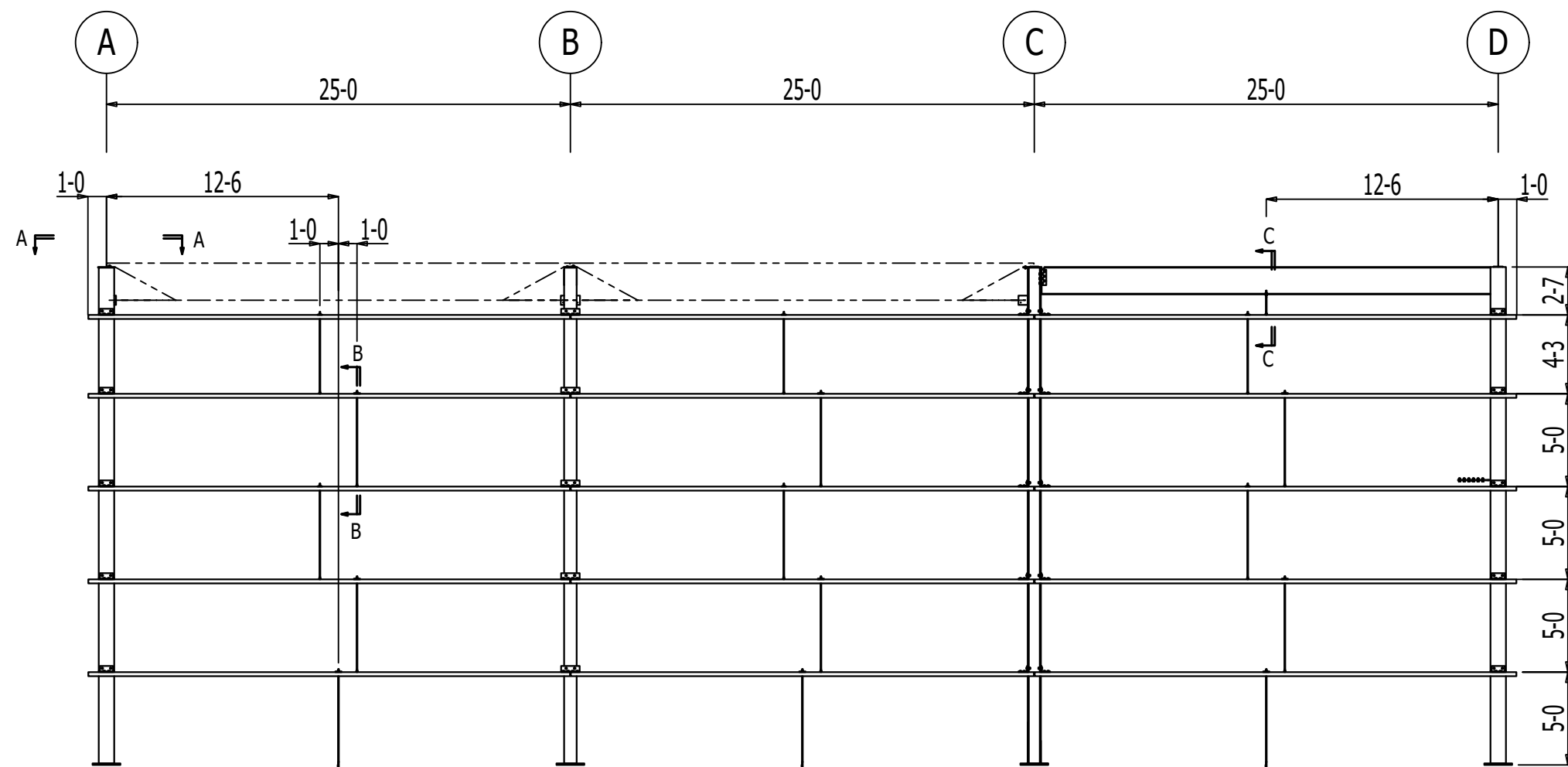
FIT/CUT GRATING AS NEEDED
1¹/₂x³/₁₆ 19-W-4



STAIR TOWER ROOF



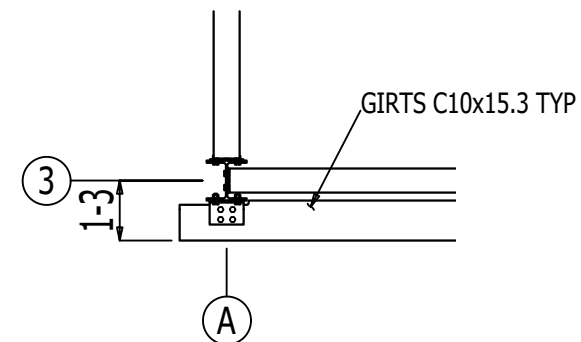
JOIST TO CONCRETE



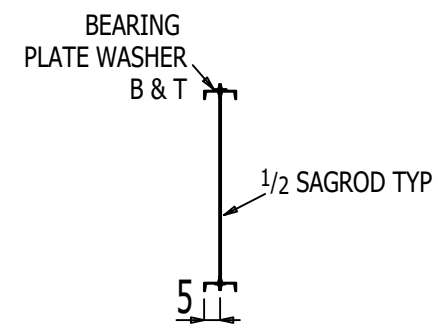
FLOOR CLIP TYP
L3x3x1/4

GIRTS & SAGRODS

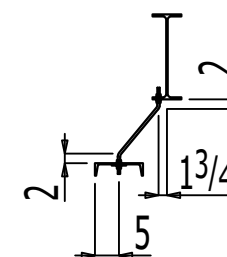
ON GRID ③



SECTION A:A



SECTION B:B
STRAIGHT SAGROD



SECTION C:C
BENT SAGROD